

# Installation & Commissioning Guide

## Operator installation

### Factors for Installation Mounting Height of Operator

MODEL	STANDARD MOUNTING HEIGHT	POWERLEAD - LOOKING AT UNIT
EL 301	+25mm Min	EL 301=LHS
TELESCOPIC (TS 301)	+44mm Min	TS 301=LHS
COMPACT PROFILE (CP 301)	+20mm Min	TS 301=LHS
HD 200	+30mm Min	HD 200=RHS
TS 200	+54mm Min	TS 200=RHS
AL 401	+25mm Min	AL 401=LHS

**Note:** Standard mounting height is generally taken as the operator cowl mounting height above underside of transom.

1. Unpack and inspect the automatic door operator. It should be free of any visual defects, dents or scratches.
2. Remove the fascia and check that all the accessories for the commissioning are inside. This will include the endplates, floor guides, sensors, operator manual and PE cells.
3. Measure the operator length checking that it is the correct size for the application, taking into the consideration the endplate thickness.
4. Remove the door brackets so they can be attached to the top of the door later. Remove the hanger bars to allow for the drilling of fixing holes through the cowl. This is done by unscrewing.
5. Mark the centre of the operator, this will allow you to align it with the centre mark on the wall. If possible pre-drill fixing holes through the cowl prior to installation.
6. De-burr all fixing holes drilled.
7. Using suitable clamps position the blocks of timber at the operator height.
8. Fit the endplates to the operator before installation, as this may be difficult afterwards.
9. Raise the operator into position and check for level. Fix the operator using the appropriate fixings.
10. Ensure all fixings are secure and the operator is well fastened prior to removing the clamps.
11. The operator is now installed and ready for commissioning.

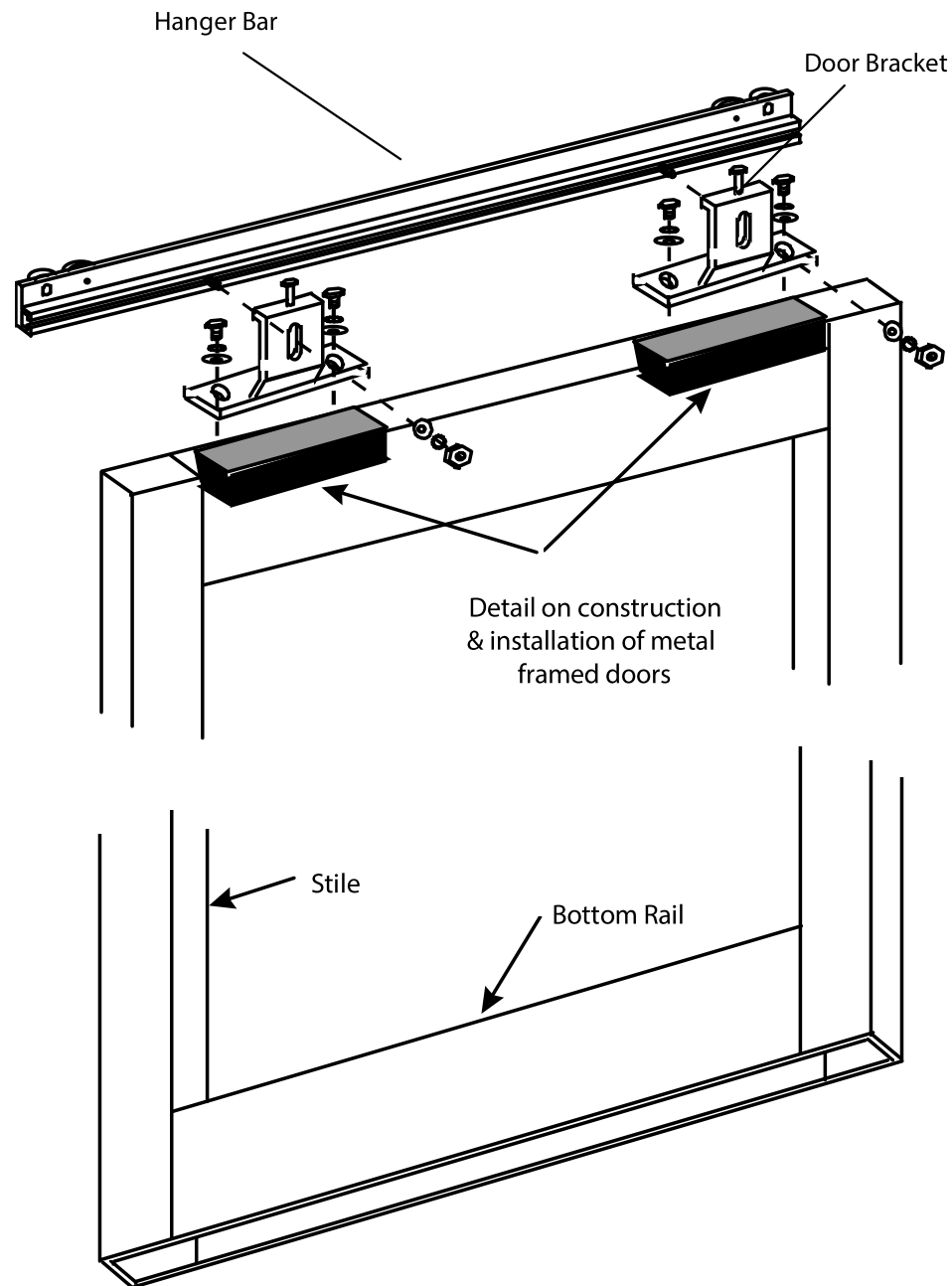
# Door Height Calculations

OPERATOR	BRACKETS	DRAWING	UNIT HEIGHT	DOOR HEIGHT CALCULATION
EL301	SA-1 Framed	10201070	266mm	FFL to top of operator minus 266mm
EL301	SA-2 Framed	1A201084	266mm	FFL to top of operator minus 266mm
EL301	12mm Glass	1A201086	266mm	FFL to top of operator minus 173mm
EL301	15mm Glass	1B201087	266mm	FFL to top of operator minus 175mm
EL301	19mm Glass	92031210	266mm	FFL to top of operator minus 175mm
TS301	Framed	1A701030	266mm	FFL to top of operator minus 260mm
TS301	Glass Rails	1A701031	266mm	FFL to top of operator minus 260mm
CP 301	SA-1 Framed	10501032	165mm	FFL to top of operator minus 170mm
CP301	SA-2 Framed	10501037	165mm	FFL to top of operator minus 170mm
CP301	12mm Glass	10501031	165mm	FFL to top of operator minus 79mm
CP301	15mm Glass	10501034	165mm	FFL to top of operator minus 81mm
HD200	SA-1 Framed	10601000	155mm	FFL to top of operator minus 155mm
HD200	SA-2 Framed	10601001	155mm	FFL to top of operator minus 155mm
HD200	12mm Glass	10601002	155mm	FFL to top of operator minus 59mm
TS200	Framed	20801000	266mm	FFL to top of operator minus 259mm
TS200	Glass Rails	20801003	266mm	FFL to top of operator minus 261mm
AL401	SA-1 Framed	10101075	266mm	FFL to top of operator minus 266mm
AL401	12mm Glass	1A101076	266mm	FFL to top of operator minus 173mm
AL401	15mm Glass	1B101078	266mm	FFL to top of operator minus 175mm
AL401	19mm Glass	1B101077	266mm	FFL to top of operator minus 175mm
AL501	SA-2 Framed	50301002	266mm	FFL to top of operator minus 266mm
AL501	19mm Glass	50301000	266mm	FFL to top of operator minus 175mm
AL501	25mm Glass	50301001	266mm	FFL to top of operator minus 175mm

# Fitting Of Aluminium Framed Door

1. Ensure the Automatic Sliding Door Operator is at the correct height.
2. Remove Door Brackets from Hanger Bar and attach using suitable fixings to top of metal frame door.

Note: Always fix Door Brackets so they are as close as possible to the Track Wheels to give maximum stability during operation.



**Note:** Door frame webbing to be removed to ensure unimpeded door travel.

# Frameless Glass Door

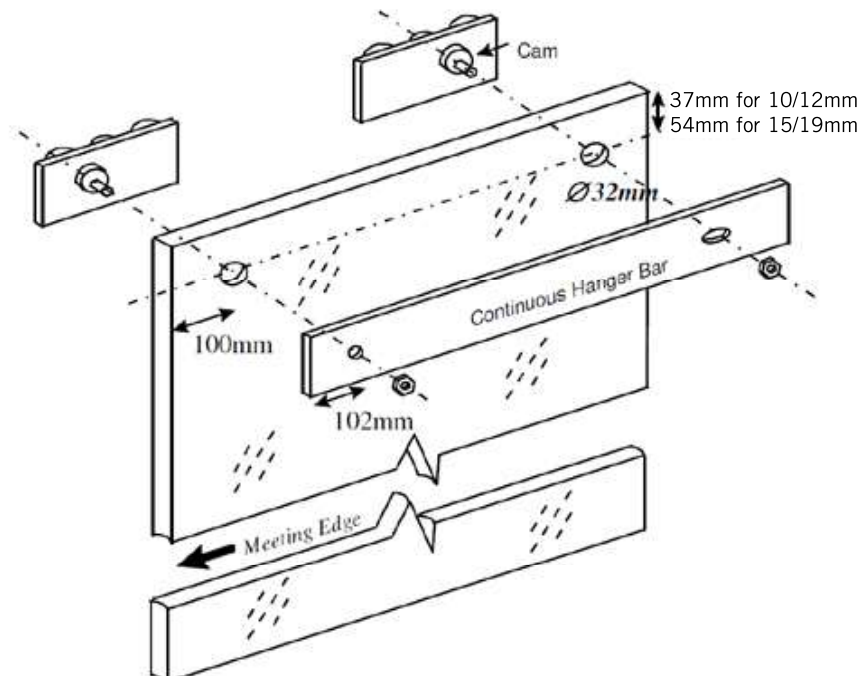
## Fitting Adjustment

1. Ensure the Automatic Sliding Door Operator is at the correct height.
2. Pull Frameless Hanger Bar Assemblies to the half open position.
3. Disconnect Chain Bracket and remove continuous Hanger Bar, leaving Frameless Bogies on the track.
4. Rotate cam into position to allow fitting of glass.
5. Place Door Leaf on packer at floor level and fit top to Frameless Bogies.  
Note: Nominal 10mm clearance from F.F.L
6. Refit continuous Hanger Bar to complete Frameless Hanger Bar Assembly.

### DO NOT FULLY TIGHTEN NUTS

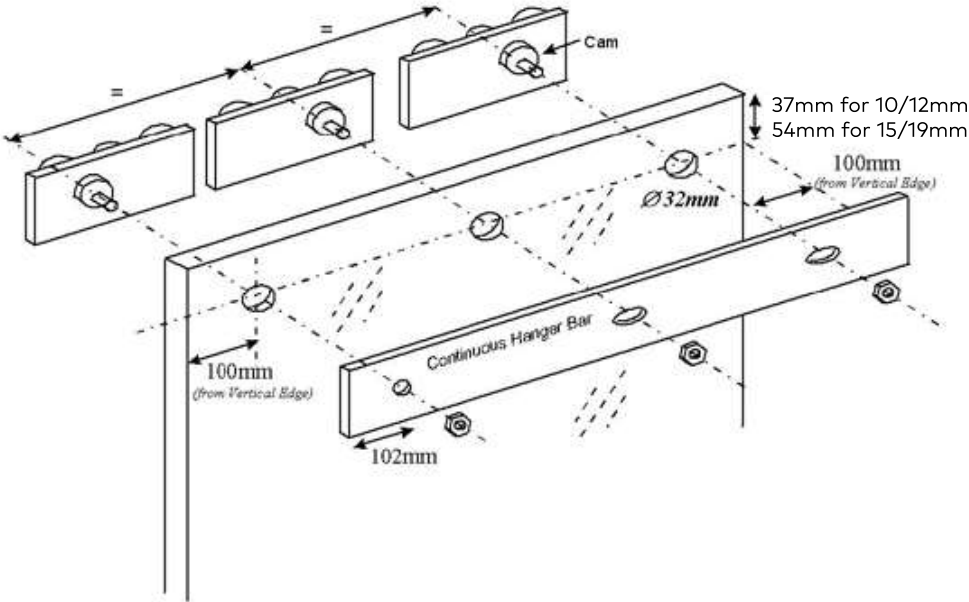
7. To align Door Leaf, rotate Glass Spacer Cam via both 12mm bolts. (Note: Do not raise/lower door weight via nylon cams - door weight to be chocked/supported)
8. When correct height achieved, tighten 12mm nuts.
9. Check Door Leaf travels freely along track and then re-connect Chain Bracket to the Frameless Hanger Bar Assembly.
10. BEFORE TURNING THE OPERATOR ON, MANUALLY CHECK THAT THE CONTACT AT THE MEETING OF THE DOORS IS **NOT** GLASS TO GLASS.

### Frameless Glass Door, Frameless Bogies and Continuous Hanger Bar (Glass hole detail for 10/12mm and 15/19mm thick glass panels, shown up to <1300mm W)

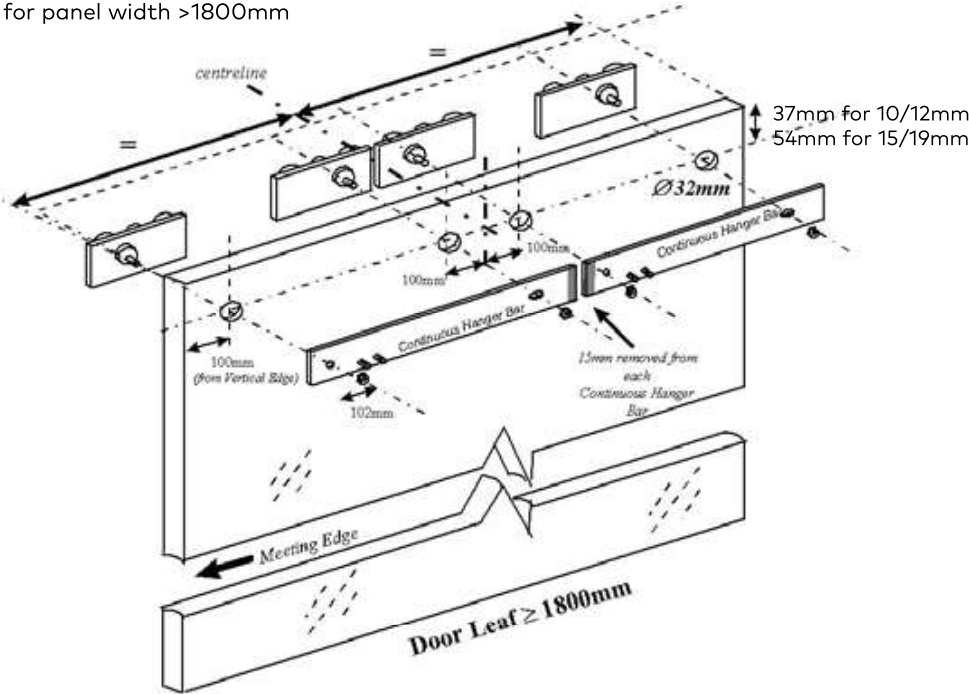


# Frameless Glass Door

Glass Hole Details for 10/12mm & 15/19mm thick panel width <1300mm to <1800mm (TIB40)

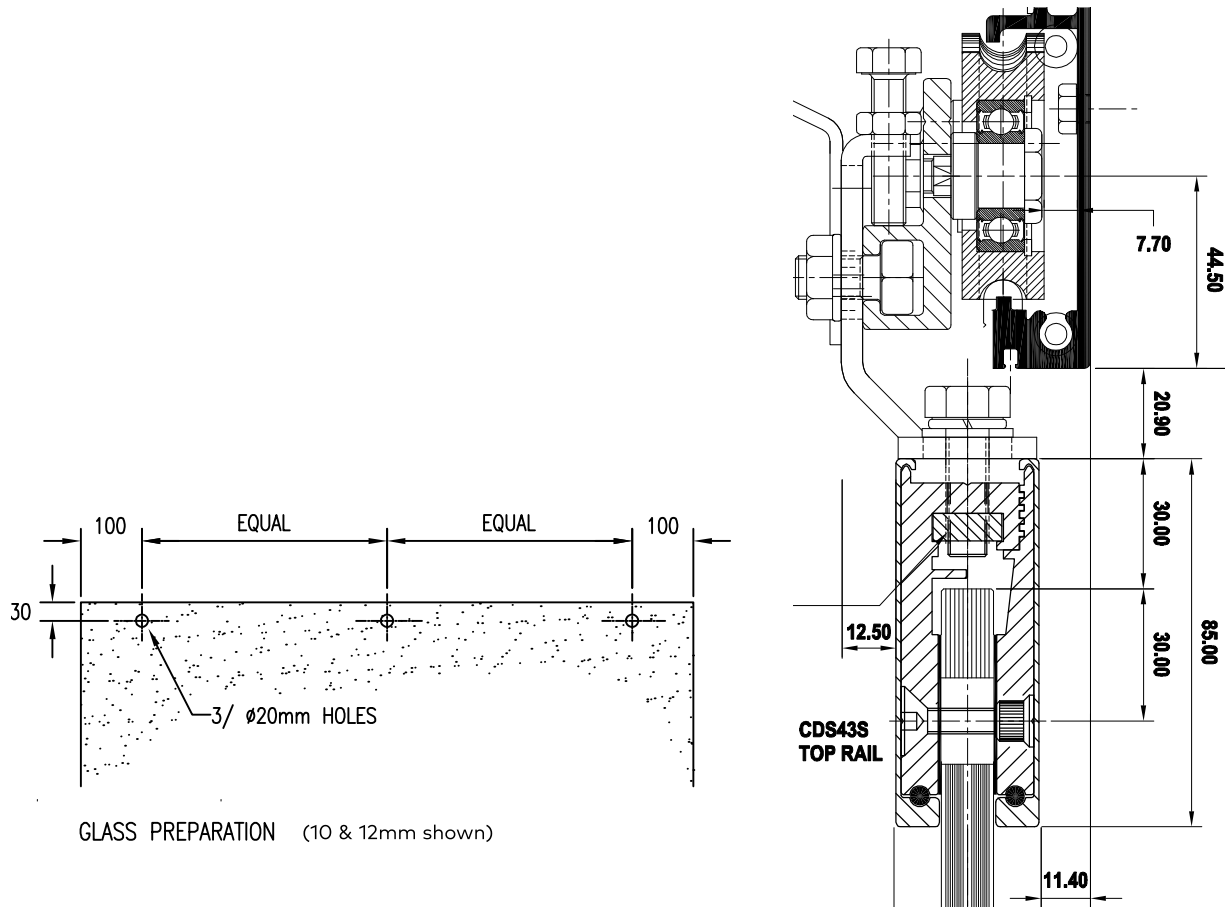


Glass hole detail for panel width >1800mm



# Door Rails

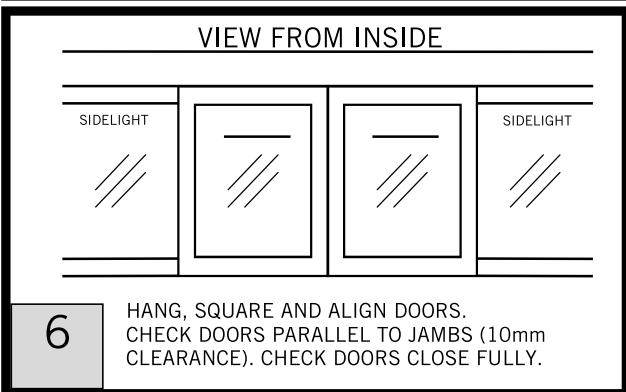
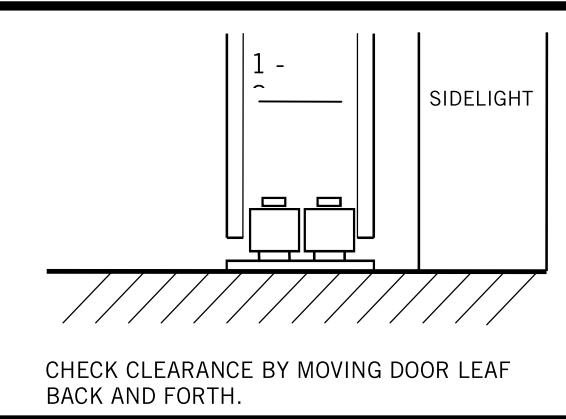
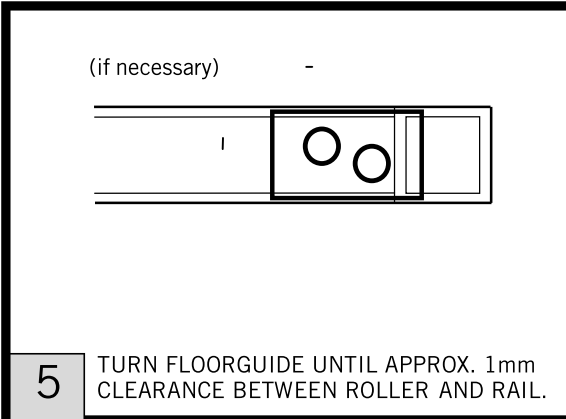
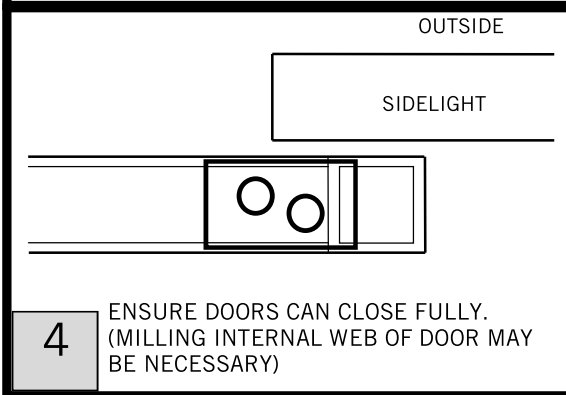
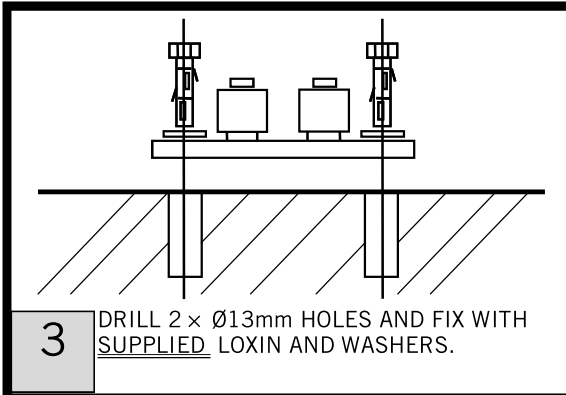
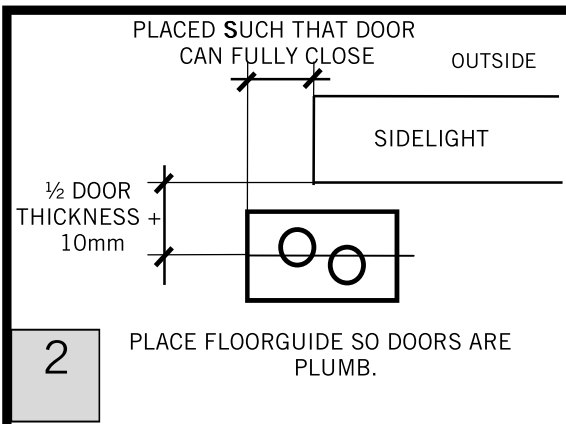
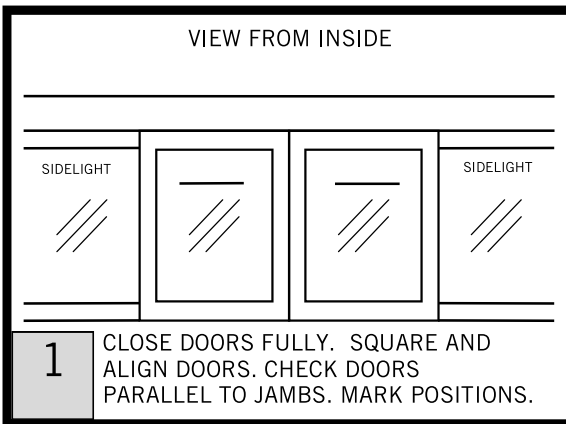
## CDS 43S DORMA top rail preparation



CDS 43S SPECIFICATION: On-Eazi 85mm High Bolt through Top Door Rail to suit most automatic or manual Sliding Door Systems. Specify Glass Thickness 10, 12, 15 or 19mm. Alternative rail cover heights on application. ILLUSTRATED

**FINISHES**  
 ALUMINIUM:  
 MILL, SAA  
 STAINLESS: SSS, PSS  
 Special finishes available on request.

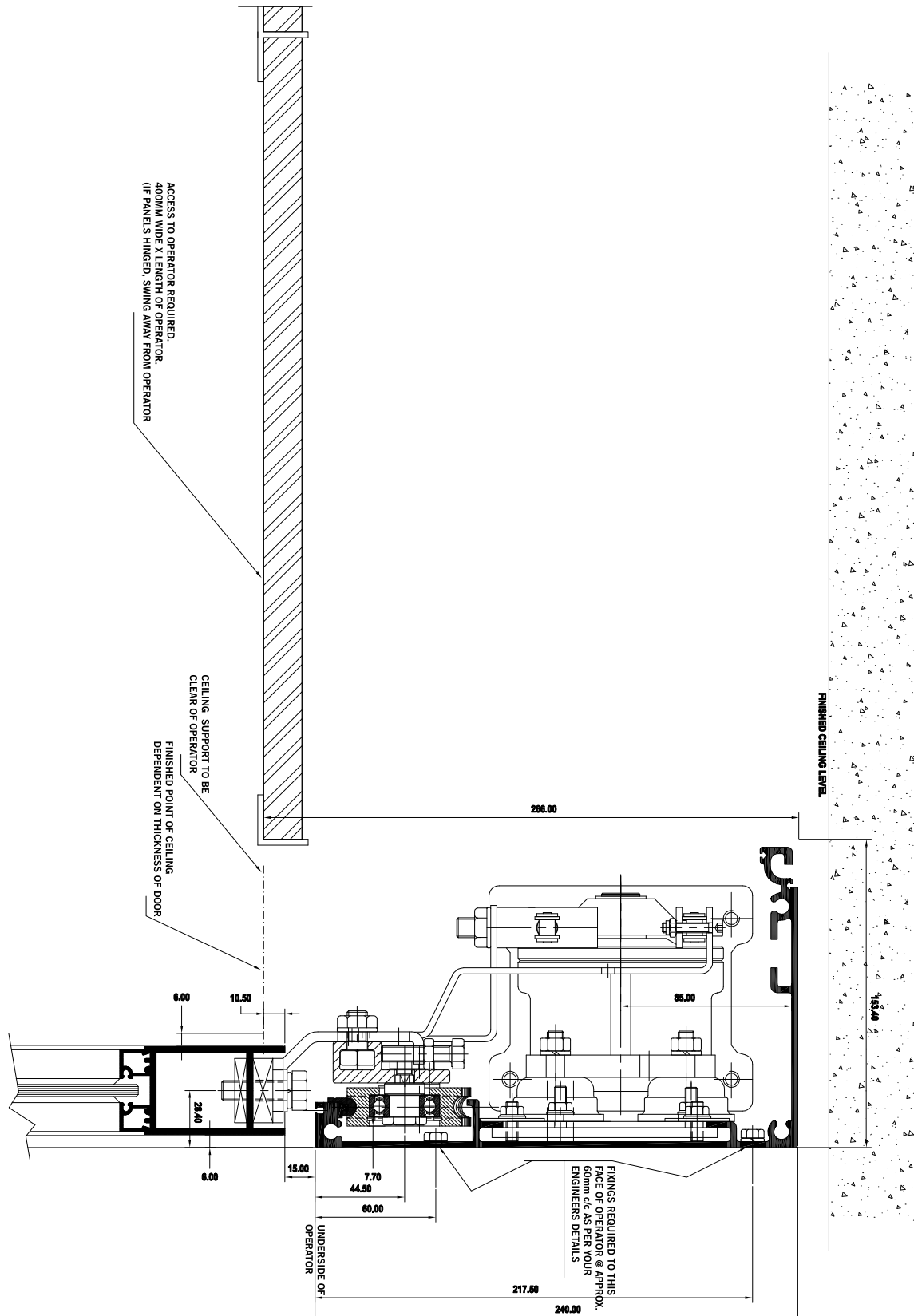
# Standard Floor Guide Installation



NOTE : Instructions shown are for STANDARD aluminium doors and STANDARD Floor guides.

# EL 301

Access requirement for above ceiling mounting













[www.dormakaba.com.au](http://www.dormakaba.com.au)

dormakaba  
Head Office  
46-52 Abbott Road  
Hallam VIC 3803  
T 1800 675 411  
F +61 (3) 8795 0280  
[info.au@dormakaba.com](mailto:info.au@dormakaba.com)  
[www.dormakaba.com.au](http://www.dormakaba.com.au)

Auto Sliding Door Operator Drawings Booklet  
Subject to change without notice